



Bushel Plus

mini combine

USER MANUAL



PLEASE READ CAREFULLY BEFORE USING THE MACHINE

*Machine replaced by a new machine for any anomaly found during the guarantee period. Bushel Plus Ltd. is the sole re-seller of this product in North America. GODÉ is the manufacturer of the product, responsible for the product, manufacturer defects, and design.

Bushel Plus Ltd. | 44 Limestone Road – Unit B, Brandon MB, CAD, R7A 7L5 | www.BushelPlus.Com
User guide produced in February 2023



USING THE MINI COMBINE

Messages to the user:

- You have just become the owner of a **Bushel Plus Mini Combine** (Mini Combine)! We thank you for your confidence in choosing our equipment.
- This machine is the result of modern design methods, many CAD trials, and over three years of research.
- The specific design of this machine is unique and a patent has been applied for.
- Feedback from over 12,000 users in more than 25 countries has been taken into account to produce a reliable, efficient and unanimously recognized tool. Learn how to make best use of your Mini Combine by reading this guide.
- This Mini Combine will live up to your expectations. How well it functions, its lifetime, and your satisfaction will depend on how much care you put into maintaining and using it.
- This assembly guide will give you all the information needed for optimal use of your machine.
- We recommend that you read this assembly guide carefully and follow it scrupulously for this equipment to meet your requirements.
- You will not be able to properly use and maintain your Mini Combine unless you read this assembly guide carefully.
- Don't hesitate to reach out with any questions you may have on functionality, maintenance or specific use.
- Note that the rotation direction of the thresher cylinder is anticlockwise (the blades turn from top to bottom).
- Charge the battery upon reception before use and before storage.
- The machine is delivered in an aluminium case containing two pots. The keys for the case are in one of the pots.
- **BY READING THIS GUIDE CAREFULLY AND RESPECTING IT, YOU ARE CONTRIBUTING TO OUR OBJECTIVE: 100% SATISFIED CUSTOMERS.**

Thank you and enjoy your new Mini Combine.

Marcel Kringe, Bushel Plus Ltd.
Julien GODÉ, GODÉ



CONTENTS

❑ RECOMMENDATIONS, DESCRIPTION	Page 4
❑ SAFETY / CHARGER	Pages 5
❑ BATTERY	Page 6
❑ START UP	Page 7
❑ HOW TO TAKE A SAMPLE	Pages 8, 9 & 10
❑ ADJUSTMENTS, ADVICE, AND MAINTENANCE	Page 11
❑ TECHNICAL SPECIFICATIONS	Page 12
❑ SAFETY INSTRUCTIONS	Page 13
❑ CONCAVE INSTRUCTIONS	Page 14
❑ DISMANTLING, EXCHANGE OF CONCAVE	Page 15
❑ SPARE PARTS	Pages 16 & 17
❑ EC STANDARDS / DECLARATION OF EC CONFORMITY	Page 18
❑ GUARANTEE CONDITIONS	Page 19 & 20
❑ GUARANTEE CERTIFICATE	Page 21
❑ 12-MONTH GUARANTEE DECLARATION OF COMMISSIONING	Page 22
❑ ADJUSTMENT RECOMMENDATIONS	Page 23

RECOMMENDATIONS, DESCRIPTION

This machine is designed exclusively for taking samples of cereal grains such as wheat, barley, 6-row barley etc. The machine can, after satisfactory tests, also be used to take samples of other cereals, some oleaginous plants, some leguminous plants, aromatic or medicinal plants.

The machine must be handled with the greatest care. No other uses can engage the responsibility of the companies Bushel Plus Ltd. and GODÉ.

Read all labels, manuals, and safety instructions from all items included in the Mini Combine set. The Companies Bushel Plus Ltd. and GODÉ decline all responsibility if the machine is used without observing the safety instructions given in this user manual.

Each time before use:

- Check the general condition of the machine and look for any damage.
- Before screwing on or unscrewing the pot, remove the battery.
- Before starting the machine, always place one hand on the main handle and the other on the door handle.
- Make sure there are no other people in your working area.

Description:

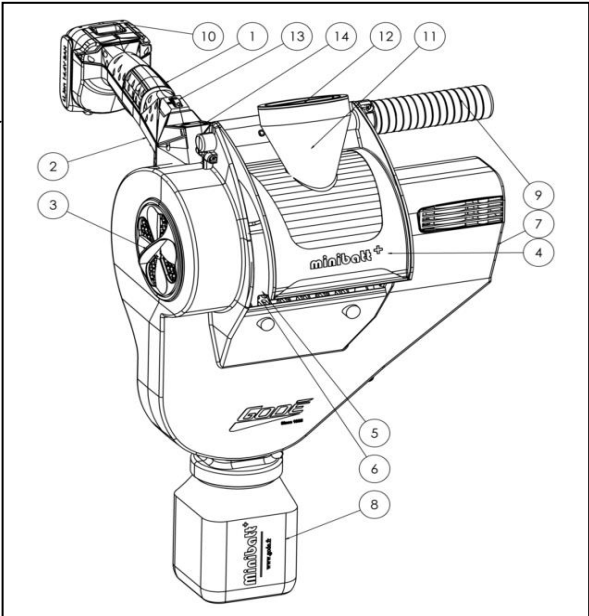
This specific machine is equipped with:

- A main handle (reference 1)
- A speed controller (13)
- A battery charge level indicator screen (2)
- An air intake adjustment spanner (3)
- A door with spring return (4)
- A thresher harvester (5)
- A concave (6)
- An air outlet duct (7)
- A sample pot (8)
- A door handle (9)
- A battery (10)
- A funnel (11)
- A removable lid (12)

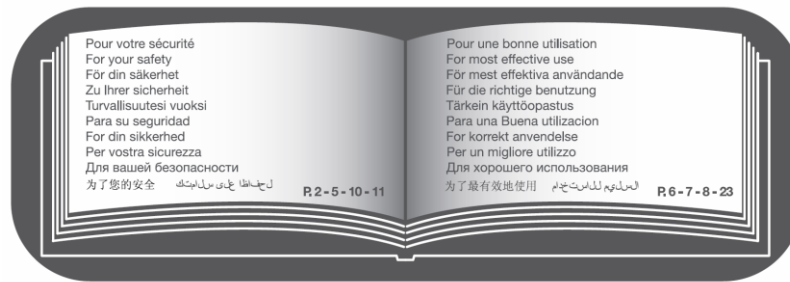
Recommendations on page(s)

- 8
- 7-10-22
- 6
- 10-22
- 6-7
- 22-23
- 9-14-22
- 7-23
- 5-7
- 5-6

These references will be referred to in the user instructions on the pages shown.



SAFETY



To use your machine correctly and safely, a label affixed to the rear trapdoor indicates the essential pages. Read and respect these recommendations and instructions.



The machine is designed for use by a single person: it is therefore prohibited for two people to be using the machine. There must be no person within a radius of 4 to 5 metres around the working area (there may be projections).
Do not leave the machine within the reach of children.

CHARGER

Specifications:

Input current: AC 100V to 240V, 50 to 60Hz

Temperature of use: over 0°C and under 40°C

Charging time: 120 minutes (variable depending on the voltage and frequency)

This equipment is designed for indoor use only.

Must be used only for Godé Li-Io batteries ref: min+31

Use:

The power cord must be plugged into an appropriate power outlet.

Insert the battery in the charger, making sure it is locked into place, photo 1

The red light remains on while charging is taking place, photo 2 at bottom left of charger

When the battery is charged, only the green light stays on.

Remove the battery when it has been charged.

Unplug the charger.

Do not put metal objects or fingers between the metal contacts of the charger.



Photo 1



Photo 2

BATTERY

Specifications:

Battery Lithium-Ion 14.4DCV 3000mAh 43.2Wh

Working temperature: Charging from 0°C to 40°C

Discharging -15°C to 50°C

Storage -10°C to 45°C



If acid from the battery touches the body, rinse immediately and copiously with water. In case of eye contact, rinse immediately and see a doctor.

- Only charge with the charger supplied.
- Protect the charger and battery from moisture.
- Handle the battery with care and be careful not to drop it or break it.
- Do not charge the battery if the temperature is lower than 0°C or higher than 40°C.
- Never throw a battery in the fire (it might explode). Recycle the battery at end of life.

Fitting and removing the battery:

To fit the battery, place it in the location provided behind the handle of the machine. Make sure it is placed the right way. Push the battery in until it clicks into place. To remove the battery, press the locking button while pulling the battery out of the machine.



It is imperative to recharge the battery every 3 months, and once it is discharged. Without respect for these requirements, lifetime of the battery is limited, and the 12-month guarantee cannot be supported.

The battery has to be charged before using for the first time and each time it does not produce sufficient power for running. A new battery or one that has not been used for a long time will reach optimum performance level after several charge/discharge cycles. The battery may heat up during charging: this is normal and does not signify a problem.

To charge the battery, remove it from the machine and insert it in the charger. There is only one way to insert the battery into the charger, and without forcing. Check that the battery is completely engaged in the charger. Plug in the charger. Check that the charge indicator lamp (red) lights up. When the battery is charged, after a maximum of 120 minutes, the end of charge indicator lamp (green) lights up. Remove the battery from the charger.

START UP

Start up:



Press the button at the bottom of the screen to start

Checking the battery charge:



An LCD screen allows you to check the battery charge level. For more precise information on the charge level, the machine must be switched on. We recommend recharging the battery when there is less than 20% load.

At the bottom of the screen, a battery symbol is displayed, the filling of this symbol indicates its state of charge.

Speed variation:



To vary the speed, press the up arrow to increase the speed, the down arrow to decrease it.

Speed is variable from 1400 to 2400 RPM

The display shows 1700 RPM (Rotation Per Minute).

HOW TO TAKE A SAMPLE

Preparation:

Open the case and take out the machine. Do not pick it up by the door handle (9).

Remove the pot (8) from the case. Remove the lid and screw the pot about 1 turn on the machine into the opening provided at the bottom of the machine; do not over-tighten.



Remove the **previously charged** battery (10) (see pages 6 battery), fix it behind the main handle (1) making sure first it is placed the right way round.

Holding the machine by the main handle (1), open the door (4) by rotating the incorporated handle (9) with the other hand.

Adjust the speed control thumbwheel, placed above the handle just under the screen, according to the crop (page 23). The arrows show how to vary the speed:

Once the speed is set, to start the machine press the trigger right down.

For wheat, we recommend setting the speed from 1600 to 2200 RPM.

Set the ventilation shutter (3) to $\frac{1}{2}$ to $\frac{3}{4}$ open: see page 23. Adjust this setting according to the result obtained. Check the ventilation setting by seeing if there are whole grains or broken grains coming out of the duct; in the latter case, see pages 9 & 22.

Remember that a combine harvester motor always runs at the same speed.

The same is true for the Mini Combine.



You should penetrate the crop with the machine running and at a constant rotation speed while you are sampling.

After taking samples, allow the machine to run for 6 to 8 seconds to free it from impurities.

DO NOT STOP THE MACHINE BETWEEN TWO SAMPLINGS

1. Open the door by rotating the door handle (9). **Before penetrating** vertically into the crop, the machine must be running at the selected speed (2).



2. Take the machine down to the bottom of the crop.



3. With the door open, make **vertical movements**. You must not advance with the machine while you are taking a sample.

Make vertical working cycles. A sampling cycle lasts about 2 seconds, from 1 to 2.



4. Do not take a sample if the machine is not at the selected speed. To take a sample, close the door by rotating the door handle. Close the door slowly and without over-exerting the handle. Open the door quickly, it will be closed at most ½ second after sampling.

It is essential to leave the machine at the selected speed for a few moments while the sample is taken, threshed and ventilated. If ventilation is stopped too early, you will have a badly threshed sample with chaff. When the crop is taken, the door must be closed for no more than ½ second! Open the door quickly.

5. After taking a sample of ears to analyse, closing the door, rotate the door handle, lift the machine with an up and down movement slightly towards yourself.

Important: the machine must be vertical when in use (handle grip horizontal).

In this photo, the machine is tilted slightly forward: this is not the correct position!



SAMPLING TIME (to fill the pot) FOR WHEAT OR BARLEY IS +/- 3 MINUTES.

ADD TO THIS THE TIME FOR MOVING ABOUT IN THE FIELD. IF YOU EXCEED THIS TIME, READ THE GUIDE CAREFULLY PAGES 7-8-9-23, WATCH THE VIDEO ON OUR SITE OR CONTACT US!

6. Do not leave the door open too long. If you leave the door open too long, there is a risk of clogging the machine with chaff.

7. It is very important to take the ears from the bottom to obtain a representative sample.
8. With the pot (8) you can check the condition of the harvested grain sample:
 - If there is too much chaff: increase the ventilation, referring to the section below, "Adjustments" pages 8 and 22.
 - If you have losses at the outlet of the ventilation duct (7) of the machine: reduce the ventilation.
 - The adjustment is correct if you can see a few grains floating in the duct.
 - If you have grains with husks, increase the thresher cylinder speed, and if still not satisfactory, fit the clipper-de-awner plate. (N.B. the plate reduces the yield).
9. When the pot is full, unscrew it, empty it and screw it back if you are taking another sample. Do not over-tighten the pot.
10. If the crop is not ripe, it is more difficult to clean. You can pass the sample through the machine for a second time. To do this, proceed as described below. During this operation, you can check the ventilation setting by seeing if there are whole grains or broken grains coming out of the duct; in the latter case, see pages 10 & 22.
 - Remove the lid from the door funnel and put it in your pocket. Photo 1
 - Holding the machine by the door handle, take the full pot and screw it back on the door funnel. Photo 2
 - Leave the door open.
 - Take an empty pot and screw it on to the bottom of the machine. Photo 3
 - **Press** the trigger to switch on.
 - **Then quickly close the door.** Photo 4
 - The sample is threshed a second time.
 - Replace the now empty pot by the lid.



Photo 1



2



3



4

11. The machine is delivered with a 5 x 20 concave specially for wheat and 6-row barley with **clipper-de-awner plate** adjustable without removing. Closing the plate **increases** the cleanliness of the grain but **reduces** the yield from the machine.

You should close this plate if you see grains with husks or with beards in the sample collected.

12. To adjust this plate:



After opening the rear trapdoor, loosen the thumbwheel.



Slide the plate:
When **closed**, the oblongs of the concave are blocked
When **open**, the oblongs of the concave are visible.

Tighten the thumbwheel

ADJUSTMENTS, ADVICE AND MAINTENANCE

Adjustments: For more advice according to crop, see pages 22 & 13.

The thresher harvester and fan are fixed on the same shaft: because of this, when you vary the thresher cylinder speed, you also vary the ventilation speed. You must therefore take this into account when adjusting your settings.

You should adjust the machine to obtain a good sample according to the type of crop.

- **Speed adjustment:** for adapting the speed of the thresher harvester (page4 – reference 5) according to the crop. This setting is obtained using the two arrows below the screen (page4 – reference 2) . These arrows limit the rotation speed.
Advice: if the grains are broken or bare (barley), reduce the thresher cylinder speed.
- **Air flow setting:** for adapting the flow of air to the crop. This adjustment is made using ventilation shutter (page 4 reference 3). The ventilation shutter has anchoring points that hold it in the desired position. To free the anchoring points before turning the shutter, pull on it slightly.
 - The more the orifices are closed with the ventilation shutter, the lower the flow of air in the machine.
 - The more the orifices are opened with the ventilation shutter, the greater the flow of air in the machine.Advice: if there are grains coming out of the duct, reduce the ventilation with the shutter.
- **For an optimum setting:** by changing the thresher cylinder speed, you change the air flow rate too. You must therefore take this into account in your settings. It is recommended to alter a single setting (speed or flow rate) at a time.

Advice:

So that the sample best reflects the actual situation, we recommend that you leave the sample in the pot with the lid on in the sun for a few minutes. This will homogenise the sample. This is because when the grain dries, the moisture level on the outside is not always the same as on the inside. If you measure the moisture of the sample, this will correspond to the moisture on the outside of the grain, which is not what you want. You must take this into account in your tests of natural phenomena depending on weather conditions.

Take your sample from several locations in the field: don't hesitate to go to the least ripe places (crop treatment paths, nitrogen connections, etc.)

Maintenance:

- Remove the battery before working on the machine.
- Clean the machine regularly with a blower after each time it is used.
- Do not use any sharp objects to clean the machine.
- Check that no liquid has got into the machine.
- Any repairs must only be carried out by qualified persons using original spare parts.





TECHNICAL SPECIFICATIONS

No-load rotation speed	from 1400 to 2400 rpm
Nominal voltage	14.4V DC
Thresher diameter	160 mm
Thresher blade width	145 mm
Air flow rate at outlet of duct	from 4 to 8 m/s
Capacity of the pot	1 000 ml
Weight of the machine in working order	3.3 kg
<u>Fast charger</u>	
Charging current	110 to 230V AC From 50 to 60 Hz
Charging time (battery completely flat)	120 minutes
<u>Battery: Li-Io</u>	43 Wh
Nominal voltage	14.4V DC
Battery capacity	3000 mAh
Number of samplings possible with a fully charged battery	8 to 12 depending on conditions
<u>Noise level</u>	
Measured in an enclosed area at a distance of 1 metre 82 dBa from the machine with a Voltcraft 329 type sound level meter	
Acceleration frequency	7.5 m/s ²

Your Mini Combine has been delivered complete with:

- its aluminium case
- 1 charger
- 2 pots of 1 000 ml
- 1 Li-Io 14.4 V battery
- 1 concave 5.20 mounted on the machine with its clipper-de-awner bar mounted
- 3 concaves 12x32 for faba beans... 10.5x23.5 for peas... 3.5x7 for small seeds
- 1 user guide
- 1 cap

To charge the batteries in your tractor, combine or car, a 220-volt charger that plugs in to the cigar lighter is available as an option - do not hesitate to contact us.

SAFETY INSTRUCTIONS

It is essential that all users read these recommendations in order to be aware of the possible risks.

In case of damage related to the use of the machine outside the scope of the applications specified by the manufacturer, the latter will be released from all responsibility.

Any extension of the original purpose of the machine is done solely at the user's risk.

The correct use of the machine also involves:

- Observing the stipulations for the use, servicing and maintenance issued by the manufacturer.
- The exclusive use of original spare parts, equipment and accessories or of those recommended by the manufacturer.

The machine must only be used, maintained and repaired by competent persons who are familiar with the specifications and methods of use of this machine. These persons must also be informed of the hazards to which they may be exposed, described in this user guide.

The user is held responsible for the strict observation of the regulations in force in respect of:

- Accident prevention.
- Safety at work (Labour code).

The user is required to strictly observe the warnings affixed to the machine.



Any modification of the machine made by the user themselves or any other person, without the manufacturer's prior written consent will release the manufacturer from liability for any damage that may ensue.

INSTRUCTIONS

- **Take outdoor conditions into account.**
Do not expose the machine to rain.
- **Wear appropriate working clothing.**
Do not wear loose clothing, always wear safety glasses in case grains are projected. If you have long hair, tie it back or cover your head.
- **Avoid abnormal stances.**
Pay attention to your stability and keep your balance at all times.
- **Check for any damage to your machine.**
Each time before use, check the general state of the machine. Working with a defective machine increases the risk of accidents.
- **Do not work near children and make sure nobody is in your working area.**
- **Put your machine away in a safe place.**
Store the machine in a dry place, high up and enclosed, out of reach of children.
- **Maintenance of the machine**
Follow the maintenance instructions. Keep the handles and switch dry, clean and oil and grease-free.

CONCAVE: Recommendations for Rapeseed and Peas

For greater versatility, the Mini Combine can be fitted with various concaves. As delivered, the machine is fitted with a concave having oblongs 5 x 20 and a retractable clipper-de-awner plate. This is specially designed for wheat, barley, oats, buckwheat, rice, sorghum. It may be suitable for other crops provided it gives satisfactory test results.

You have been delivered * from more specific concave:

- * Concave with oblongs of 3.5 x 7 (a) special rapeseed and other small seeds.
- * Concave with oblongs of 10.5 x 23.5 (b) special peas, soybeans, and other seeds
- * Concave with 12 x 32 oblongs special beans and other seeds.



For rapeseed harvesting: You cannot harvest rapeseed directly. It is essential to cut whole plants. Two methods are then possible:

- **Either** thresh and strip the plants, with the pods in a basin, recipient or bag, transfer the sample obtained to the Mini Combine. Then screw the pot on to the funnel, thresh it and ventilate it with the Mini Combine (see page 7 §9 et p24 §1).
- **Or** use the fixed station threshing kit (photo below).

For pea harvesting: If the crop is lying on the ground: pinch off the stems with pods, with the machine stopped. Only then start the machine. Stop quickly, pass the sample through a second time if necessary (see page 7 § 8).

The Mini Combine cannot harvest maize or sunflower. But you can use it to clean a sample by passing it through the machine (see page 7 § 9).

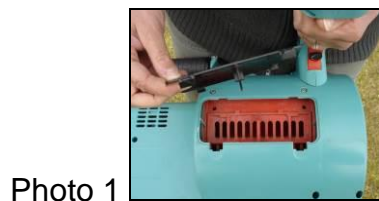
DISMANTLING/EXCHANGE of concave

 It is essential to remove the battery before any work on the machine.

Photo 1: Remove the rear access trapdoor by releasing the two clips holding the plate. It is the shape of the trapdoor that holds the concave in place. You therefore do not need any tools.

Photo 2: In a seated position, hold the machine on your lap or between your knees. Take the tab located at the end of the concave between the thumb and forefinger. Make small rotational movements back and forth. At the same time, pull to extract the concave from its seat. Remove the concave from the machine.

Photo 3: Fit a new concave suitable for the new crop. Guide and press the concave with the thumb (or with the four fingers) to clip it into the centerer over its whole width. In this operation, you may have to slightly rotate the thresher cylinder. A little effort on the concave may be required in this operation to insert it and guide it into its locations. Clip the inspection trapdoor back into place.



SPARE PARTS

EXPLODED VIEW OF THE MACHINE FOR SPARE PARTS

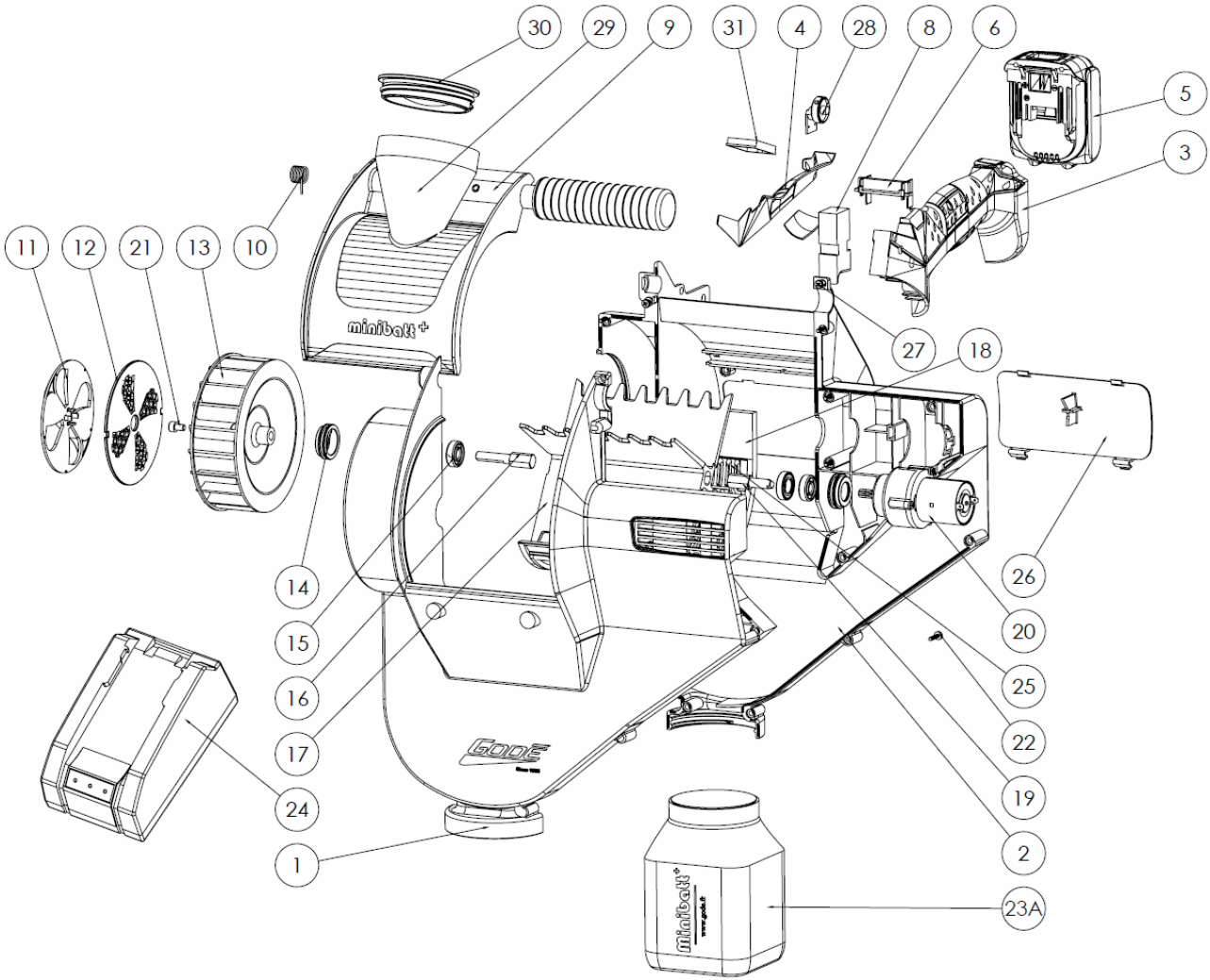


Diagram by Julien Godé

The company SAS GODÉ undertakes to ensure long-term back-up and spare parts service.

31		1	Ecran	Screen	Bildschirm
30		1	Couvercle	Cover	Deckel
29		1	Entonnoir	Funnel	Funnel
28		1	Potentiomètre	Potentiometer	Potentiometer
27		1	Vis M4 10 avec écrou	Screw M4 10 with nuth	Schraube M4_10
26	Min*38	1	Trappe	Trap-door	Zugangsklappe
25D	Min25D	1	Contre batteur 12 x 32	Concave 12 x 32	Dreschkorb 12x32mm
25C	Min25C	1	Contre batteur 3.5 x 7	Concave 3.5 x 7	Dreschkorb 3.5x7mm
25B	Min25B	1	Contre batteur 10.5 x 23.5	Concave 10.5 x 23.5	Dreschkorb 10.5x23.5mm
25A	Min25A	1	Contre batteur 5 x 20	Concave 5 x 20	Dreschkorb 5x20mm
24	Min*32	1	Chargeur	Charger	Ladegerät
23B	Min*37	2	Couvercle de pot	Lid of pot	Behälterdeckel
23A	Min*36	2	Pot 1000 ml	Pot 1000 ml	Behälter 1000ml
22		25	Vis de fixation Ø4	Screw Ø4	Schraube Ø4
21		1	Vis CHC M5	Screw CHC M5	Schraube CHC M5
20	Min20B	1	Moto réducteur brushless	Motor reducer	Motor
19		1	Arbre moteur	Motor shaft	Motorwelle
18		1	Support Contre- batteur	Seat concave	Dreschkorbpfanne
17	Min17	1	Batteur	Cylinder	Zylinder
16		1	Arbre ventilateur	Fan shaft	Ventilatorwelle
15		2	Roulement	Bearing	Lager
14		2	Portée de roulement	Seat bearing	Lagerschale
13		1	Ventilateur	Fan	Absaugvebtikator
12		1	Clé fixe	Fixed key	Luftöffnung fix
11		1	Clé mobile	Moving key	Luftöffnungsverstellung
10		1	Ressort	Spring	Feder
9	Min*35	1	Porte	Door	Tür
8	Min*34B	1	Gâchette brushless	Switch	Schalter
7	Min*33B	1	Carte électronique brushless	Electronic card	Elektronische Karte
6		1	Connecteur	Connector	Connector
5	Min*31	1	Batterie	Battery	Batterie
4		1	Poignée droite	Right handle	Rechter Griff
3		1	Poignée gauche	Left handle	Linker Griff
2		1	Carter arrière	Back casing	Gehäusevorderteil
1		1	Carter avant	Front casing	Gehäusevorderteil

REP	RÉF	QTE	DÉSIGNATION		
44 Limestone Rd. Brandon MB CAD R7A 7L5			 Bushel Plus Mini Combine		
Tel: 1.833.376.7726					



DECLARATION OF EC CONFORMITY OF MINIBATT TO THE EUROPEAN DIRECTIVE "MACHINES" (2006-42 EC) and the regulations adopted for its transposition

The manufacturer, undersigned: SAS GODÉ 15 Bis Rue du Général Augereau 02420 LE CATELET - FRANCE

THE PERSON AUTHORIZED TO CONSTITUTE THE TECHNICAL FILE IS: GODÉ Julien 15 Bis Augereau Street 02420 LE CATELET

Declares that the Mini Combine designated hereafter:

- Serial No.: S01
- Year of manufacture: 2 0 2 1

COMPLIES WITH THE ARRANGEMENTS OF THE MACHINERY DIRECTIVE (DIRECTIVE 2006-42 EC) AND REGULATIONS NATIONALES THE TRANSPOSANT

Established at LE CATELET, 2 mars 2021
name of signatory Julien GODÉ



Identification: The identification plate of your Mini Combine is located at the rear. The serial No. is shown on this plate, for example below: L18 1001



*Label is an example only.
Design subject to change
without notice.



- THE RE-SELLER & MANUFACTURER DECLINE ALL RESPONSIBILITY IN THE CASE OF USAGES NOT COMPLIANT WITH THE RECOMMENDATIONS MADE IN THIS GUIDE.
- THE USER MUST RESPECT THE GENERAL HEALTH AND SAFETY RULES, AND THE RECOMMENDATIONS OF AGRICULTURAL INSURANCE COMPANIES.
- OUR ADVICE AND SAFETY RULES ARE NOT LIMITING



CONDITIONS OF GUARANTEE

The SAS GODÉ 15 Bis rue du Général Augereau 02420 LE CATELET France certifies, in compliance with the provisions below, to each purchaser of Godé equipment from a Godé authorised dealer that the said equipment is, at the time of delivery to the user, guaranteed against any manufacturing defect, on condition that the equipment in question is used and maintained in accordance with the instructions stipulated in the assembly guide.

This guarantee covers our equipment during a period of one year from the day of delivery to the user.

The date of invoicing the end purchaser and the return of the guarantee card by the retailer to the company, after signing by the retailer and the purchaser, shall constitute proof of delivery of the equipment.

The guarantee is limited to the reimbursement or repair of parts recognised as defective, in material or in machining, in our factories and by our Technical Departments.

The following exceptions should, however, be taken into consideration:

The guarantee does not apply if the defects are due to normal wear, damage or accident resulting from negligence or lack of surveillance, incorrect use, lack of maintenance and/or if the partly completed machine has been involved in an accident, lent or used for a purpose not conforming to the purpose intended by the company GODÉ.

Labour costs are included in this guarantee. Any return of goods is at the customer's expense, but re-dispatch costs will be borne by ourselves. Any failure related to a use other than that for which the goods are intended or any destruction related to an accident.

The guarantee is annulled if modifications have been made to the machine without the express consent of the company Godé or if parts other than original ones have been fitted to a machine sold by the company and/or if repairs have not been carried out by an authorised distributor or dealer.

The company Godé cannot be held responsible for damage to the partly completed machine or its accessories during transport and handling, even within the legal period of the guarantee. The machine, machine parts or accessories, are transported at the destinee's risk.

Similarly, the Company Godé cannot be held to payment of an indemnity in any capacity whatever in case of loss or crop or any damage due to a defect, hidden defect or breakdown of the machine.



The user is responsible for and shall bear the related costs of:

- The normal maintenance of the equipment.
- The travelling expenses and kilometric costs necessary for the work.
- The transport of the machine, machine parts or accessories, to the repair premises. The return of the items in question to the place of use will be paid for by the Company Godé.
- To wearing parts that are not covered by the guarantee.

The maintenance and use of the machine must comply with the recommendations stipulated in the user guide. The safety measures mentioned in the user guide, and on the machine itself, must be observed and all the guards or protective devices, of whatever type, must be inspected regularly, kept in perfect condition and replaced each time they have been removed.

The guarantee cannot be given or transferred to any person without the written consent of the Company Godé first being obtained.

The decision of the Company Godé, whatever the reason for invoking the guarantee, is definitive and irrevocable and the purchaser shall undertake to accept it.

The present guarantee excludes all other responsibility of the Company Godé, whether legal or conventional, express or implicit, and the responsibilities of the Company can under no circumstances exceed those defined in the above sections.

The Company Godé reserves the right to modify its grader without notice and without being held to apply these changes to graders already sold in service.

Because of constant progress in techniques, no guarantee can be given concerning the description of the equipment made in any document issued by the Company.



CERTIFICATE OF GUARANTEE

COPY TO BE KEPT BY THE CUSTOMER

The signatories of the certificate (User and Dealer) declare that:

- The Mini Combine designated below has been put into service by the dealer according to the manufacturer's instructions for the user named below.
- The user has received from the dealer all the instructions concerning the use and maintenance of the machine and the safety devices with which it is equipped in compliance with the provisions of the assembly guide that he has been given.
- The duration of the guarantee of the machine is 12 months from the date of purchase.
- The user has been informed by the dealer of the guarantee conditions.
- The user has received the EC declaration of compliance of the machine described below.
 - Serial No: S01
 - Year of manufacture: 2021

Dealer or importer:
.....
.....

Note below the commissioning date, the user's address and the dealer's address if it differs from that shown above.

- This original is to be kept by the user.

USER
 Commissioned on:
 Name:
 No., Street:
 Post code:
 Town:
 Country:

The user acknowledges that he has been given this day a user guide and that the functioning of the machine has been explained to him.

Signatures: User Dealer

A copy of the guarantee certificate, together with the purchase invoice must be attached to any request under guarantee, and addressed to:

Recommendations for setting the ventilation, threshing speed and choice of concaves (a)

These settings are given for information purposes only. They should be used as a starting point to be adapted to the variety and physiological condition of the crop. With a correct setting, the flow of grains should be in suspension in the ventilation duct.

The speed of the beater can be adjusted with the arrows located under the screen.



Ventilation shutter



Before turning the ventilation shutter, pull it out slightly

Ventilation closed

Use for ray grass: if necessary, block the orifice completely.
Use for flax, small seeds, rapeseed, turnip, poppy seed, parsley, etc.

Thresher speed maximum for rapeseed and ray grass.
Concave 3.5 x 7 for rapeseed



Minimum ventilation

This setting is used when the closed position does not give enough ventilation.



High ventilation

Use for barley, 6-row barley, wheat (1), spelt (1), peas (2) soya (2), faba beans (3), etc.

Thresher speed from 1400 to 1600 RPM for faba beans, peas, soya
Thresher speed from 1800 to 2400 RPM for barley and 6-row barley
Thresher speed from 1600 to 2200 RPM for wheat and rice



Maximum ventilation

Use for barley, 6-row barley, wheat (1), spelt (1), peas (2) soya (2) faba beans (3), etc.

Thresher speed from 1400 to 1600 RPM for faba beans, peas, soya

Thresher speed from 1800 to 2400 RPM for barley and 6-row barley

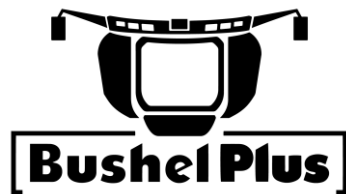
Thresher speed from 1600 to 2200 RPM for wheat and rice
(1) With concave 5 x 20



- (a) recommended setting first
* unscrew or increase the speed with the arrows (see page 4 & 8)

NB: To check the ventilation, hold the hand between 15 and 25 cm from the ventilation duct outlet:

- If you feel a lot of seeds hitting your hand, there is too much ventilation.
- If the duct tends to clog and/or you obtain dirty grains, increase the ventilation.



FOR YOUR SAFETY AND CORRECT OPERATION OF YOUR MACHINE, USE ONLY
GODÉ ORIGINAL SPARE PARTS AS SUPPLIED BY BUSHEL PLUS LTD.



Your Mini Combine can be transformed into a fixed station thresher. You have many threshing applications: rapeseed, selection, grain carrier, expertise, etc.